

Break here
to insert
frequency multiplier
2N3904

KK7B

microT2

Rick Campbell

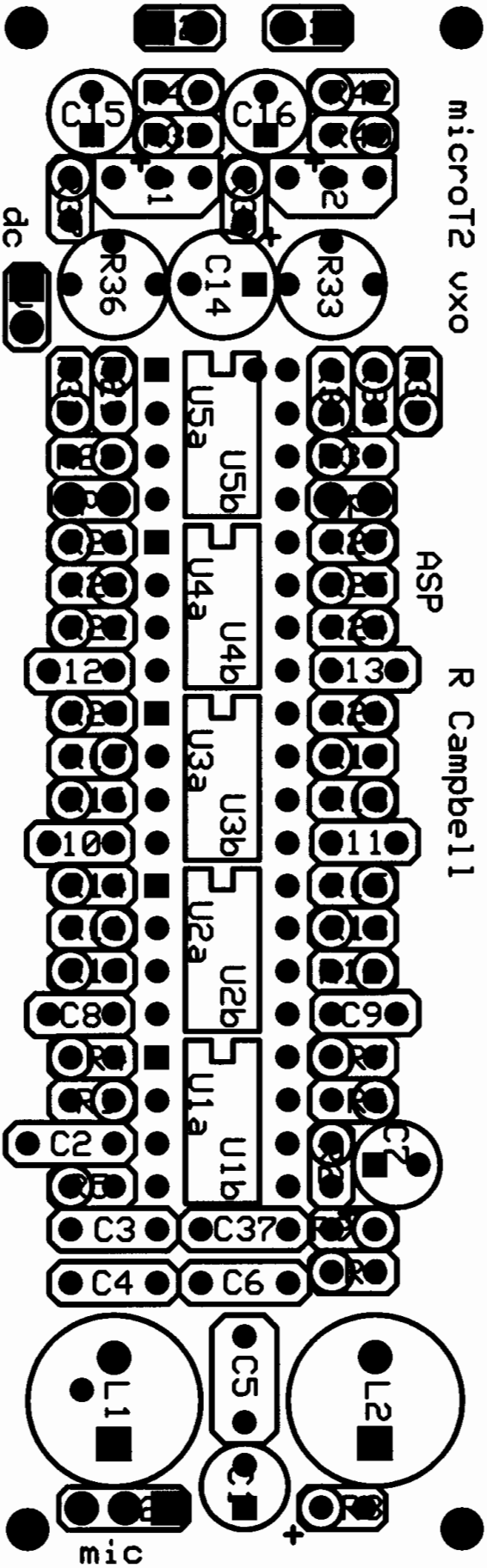
Rev 1
7/7/06

Page # or name

microT2 vxo

R Campbell 1

ASP



RF amp

